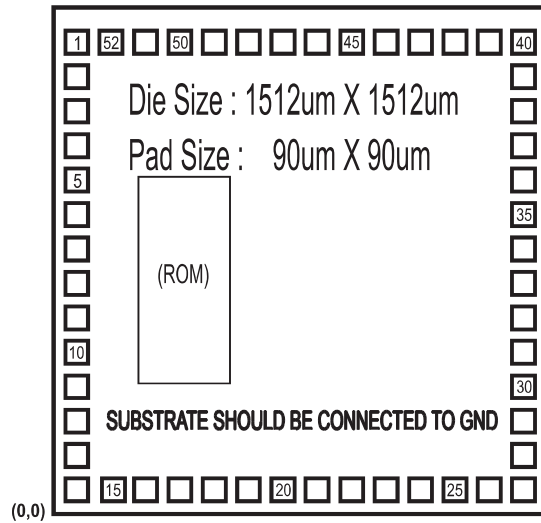


A) FEATURES

- 1) 1.5V Operate
- 2) Low Power Consumption
- 3) LCD Calendar Clock With Lunar Calendar & Temperature
Options for 12 or 24 Hour Format
- 4) Date Display (Month / Date / Week)
- 5) Year Range is 1940-2099 (Default is 2001yr)
Auto Adjust Week
- 6) Measuring Temperature Range:-9 degC ~+70 degC or
+15.8degF ~+158degF
- 7) Display Resolution :0.1 degC
- 8) Accuracy :+/- 1 degC
- 9) Three Function Key
- 10) Soldering Option for
 - (a) 30sec Rotate Display/Clock/Date/Week/Lunar/degC
 - (b) Fixed Display/Clock/Date/Week/Lunar/degC

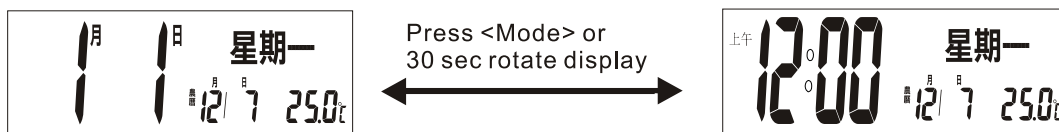
上电显示日期, 有一邦定选项可做成30秒自动切换日期、时间显示



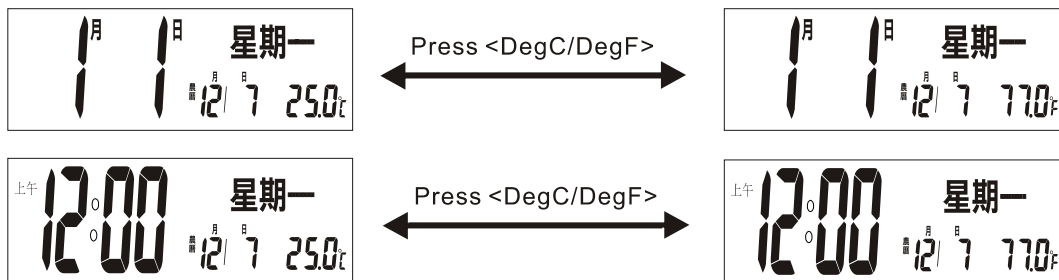
NO	NAME	X	Y	NO	NAME	X	Y
1	BAK	69.75	1422.25	27	SEG13	1442.25	69.75
2	XIN	69.75	1325.25	28	SEG14	1442.25	186.75
3	XOUT	69.75	1221.75	29	SEG15	1442.25	290.25
4	GND	69.75	1118.25	30	SEG16	1442.25	393.75
5	VDD1	69.75	1014.75	31	SEG17	1442.25	497.25
6	VDD2	69.75	911.25	32	SEG18	1442.25	600.75
7	VDD3	69.75	807.75	33	SEG19	1442.25	704.25
8	CUP1	69.75	704.25	34	SEG20	1442.25	807.75
9	CUP2	69.75	600.79	35	SEG21	1442.30	911.29
10	COM1	69.75	497.25	36	SEG22	1442.25	1014.75
11	COM2	69.75	393.75	37	SEG23	1442.25	1118.25
12	COM3	69.75	290.25	38	SEG24	1442.25	1221.75
13	COM4	69.75	186.75	39	IOA2	1442.25	1325.25
14	COM5	69.75	69.75	40	IOA3	1442.25	1442.25
15	SEG1	186.75	69.75	41	SEG27	1325.25	1442.25
16	SEG2	290.25	69.75	42	SEG28	1221.75	1442.20
17	SEG3	393.75	69.75	43	SEG29	1118.25	1442.25
18	SEG4	497.25	69.75	44	SEG30	1014.75	1442.25
19	SEG5	600.75	69.75	45	SEG31	912.42	1441.89
20	SEG6	704.25	69.75	46	SEG32	807.75	1442.25
21	SEG7	807.75	69.75	47	KI2	704.25	1442.25
22	SEG8	911.25	69.75	48	IOC3	600.75	1442.25
23	SEG9	1014.75	69.75	49	IOC4	497.25	1442.25
24	SEG10	1118.25	69.75	50	RESET	393.75	1442.25
25	SEG11	1221.75	69.75	51	INT	290.25	1442.25
26	SEG12	1325.25	69.75	52	N.C.	186.75	1442.25

DL6016

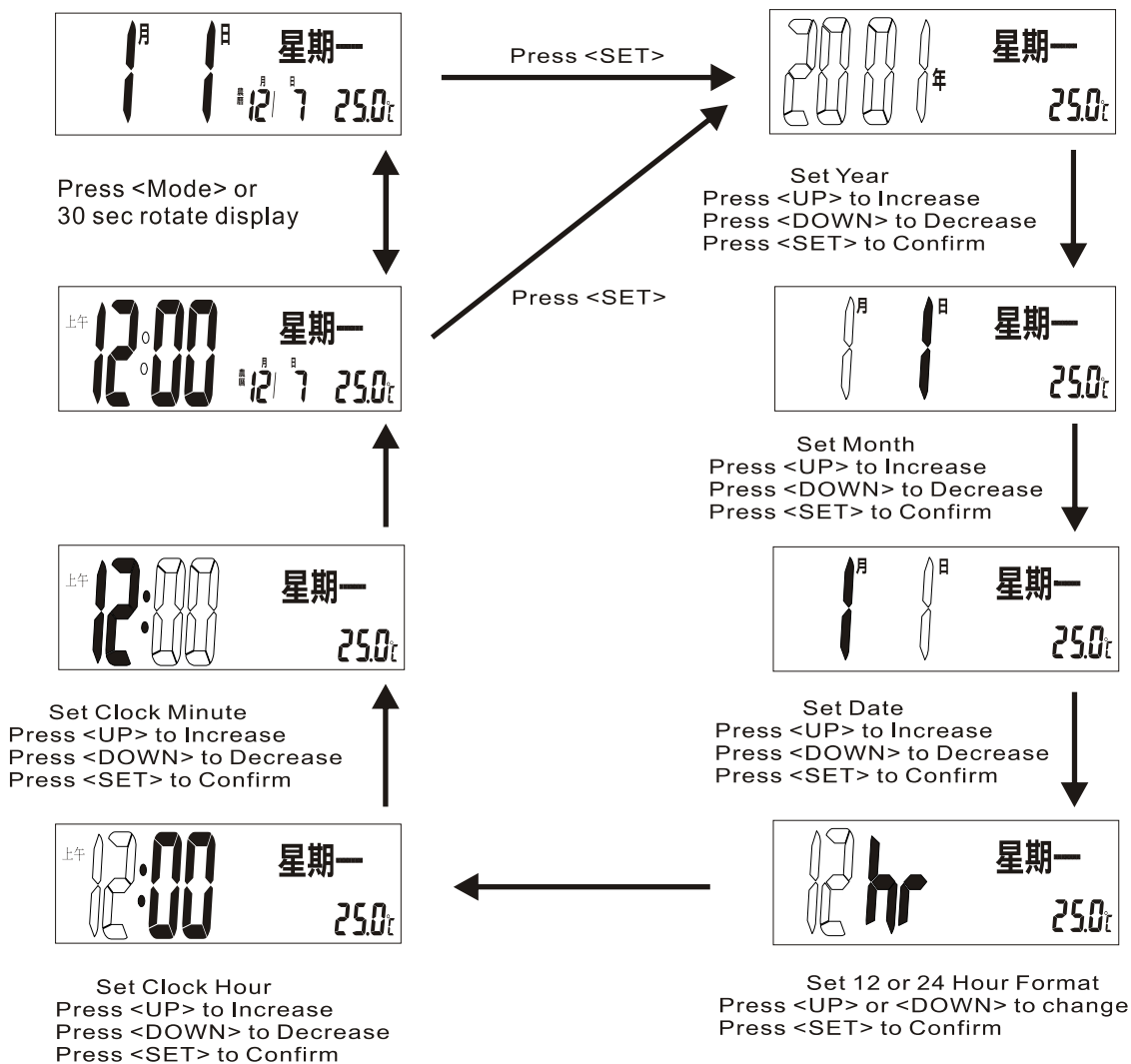
B) OPERATION MODES

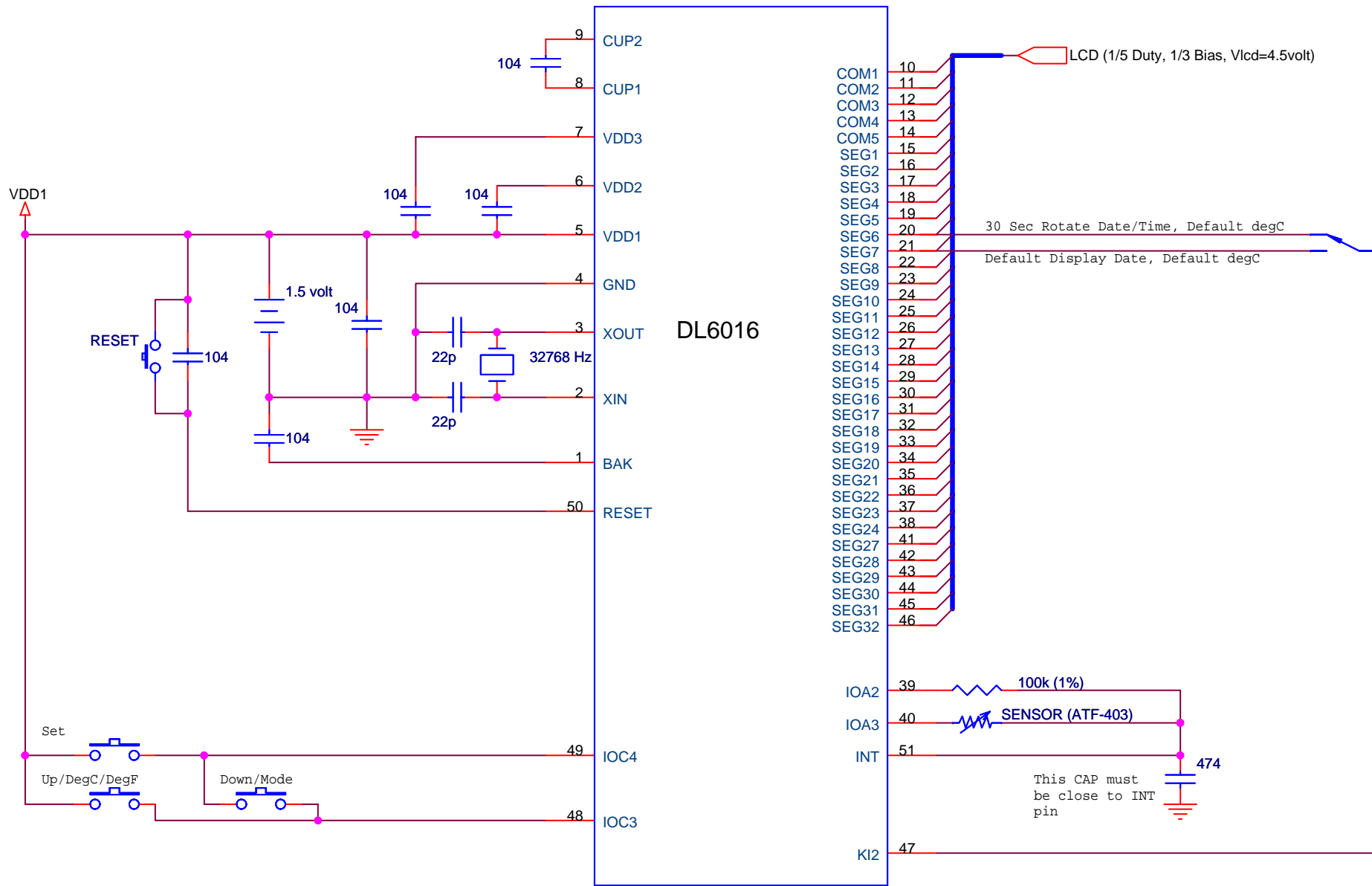


C) OPERATION DegC/DegF



D) SETTING PROCEDURES

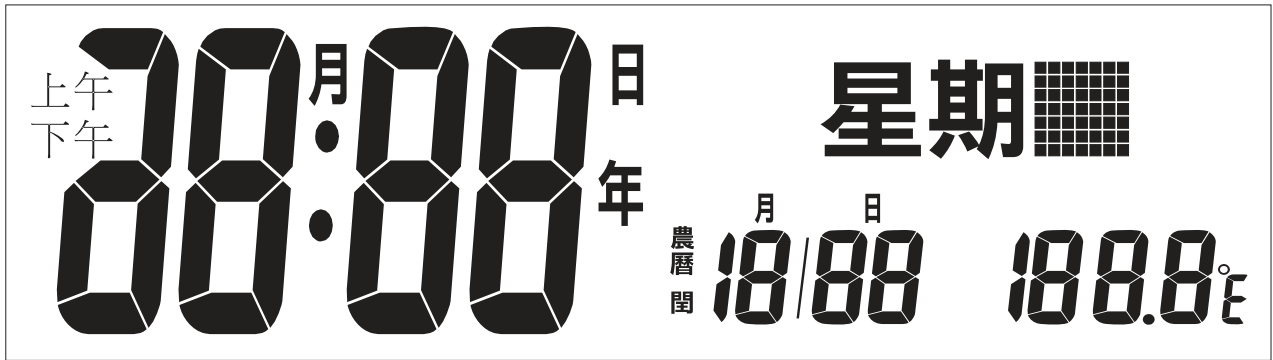




热敏电阻建议使用40.27K 1% B=3950

Title		
DL6016		
Size	Document Number	Rev
A	<Doc>	1.2
Date:	Saturday, March 05, 2005	Sheet 1 of 1

DL6016



1/5 DUTY, 1/3 BIAS, V_{lcd} = 4.5 volt

