



东莞市琪芯电子有限公司

电话: 13798528768, 0769-81555915 传真: 85338927
邮箱: info@jfd-ic.com, QQ: 1873357672
网址: www.jfd-ic.com 微信号: dgqxdz
Skype: jumfuyu 阿里旺旺: 晶峰达电子科技

DL9222

12 Digit EL 6 Function LCD Watch

FEATURE

- Single-chip CMOS construction
- Driver 12-digit triplexed LCD
- Colon display
- 32768Hz crystal frequency
- Debounce circuitry on switch input
- Touch tone signal
- On chip oscillator
- Single 3.0V battery operation
- Low power dissipation

FUNCTION

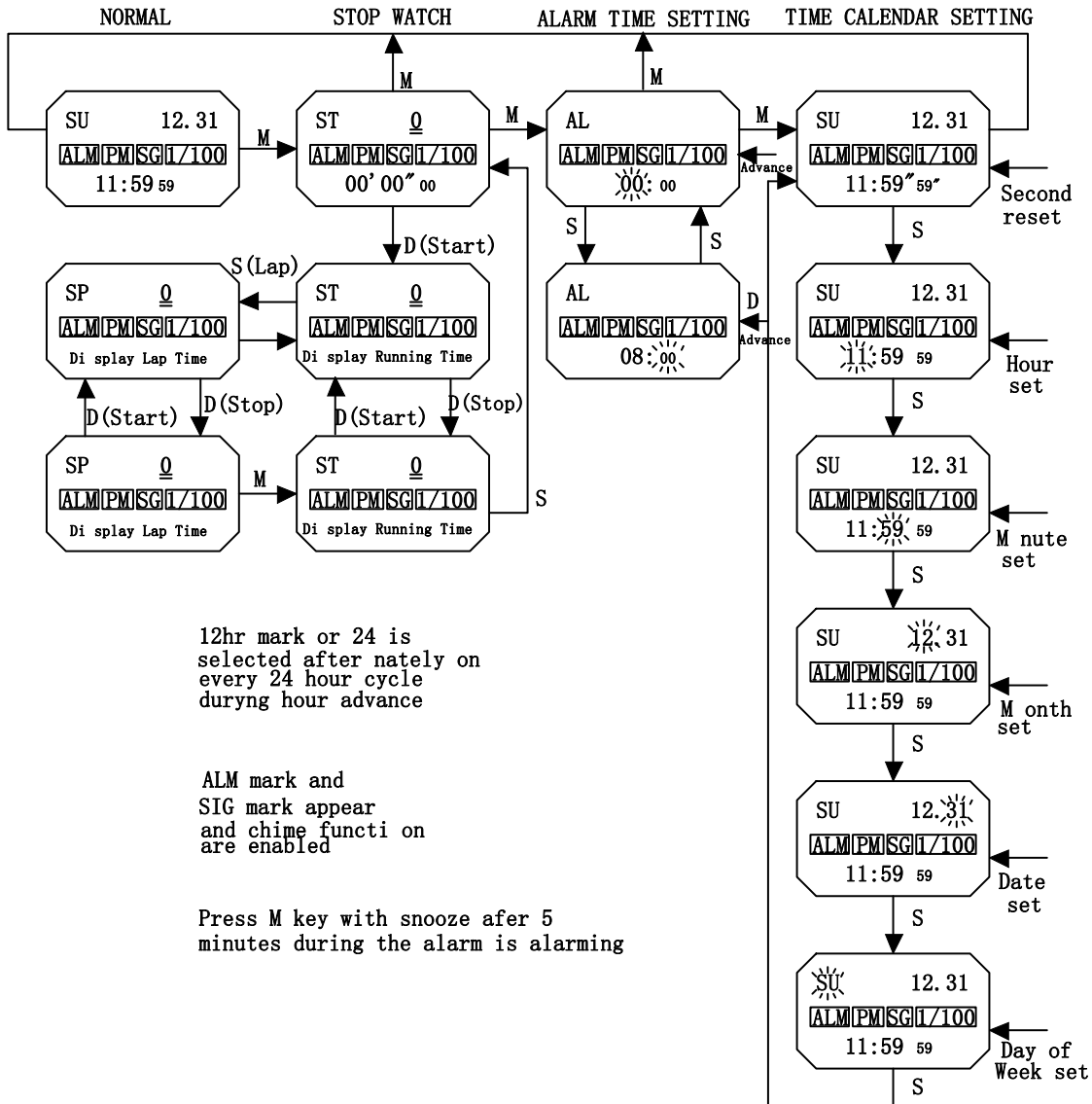
- 6 Functions: Mothe, Date, Day-of-week, Hour, Minute and second.
- 8-digit chronograph.
- Split function of chronograph.
- Use selectable 12-nour/24 hour format.
- 4-year calendar.
- One-touch correction of time error within ± 30 seconds.
- Fast advance for time and alarm time set.
- Chime on every hour, alarm, snooze.
- 4-switch sequential operation.

DESCRIPTION

The is a CMOS digital 6 -function watch integrated circuit with alarm, Snooze and chronograph function; designed for a 12-digit triplexed liquid crystal display.



SETTING SEQUENCE AND OPERATION

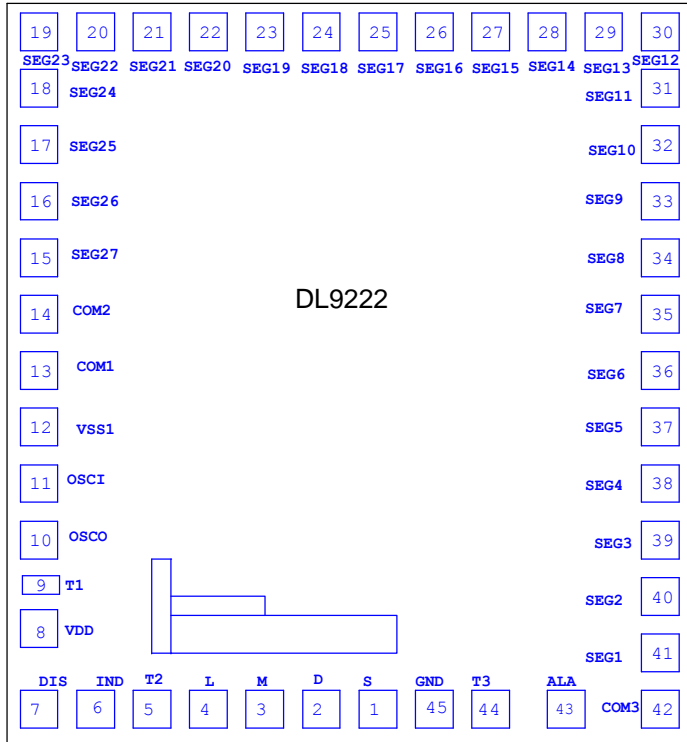


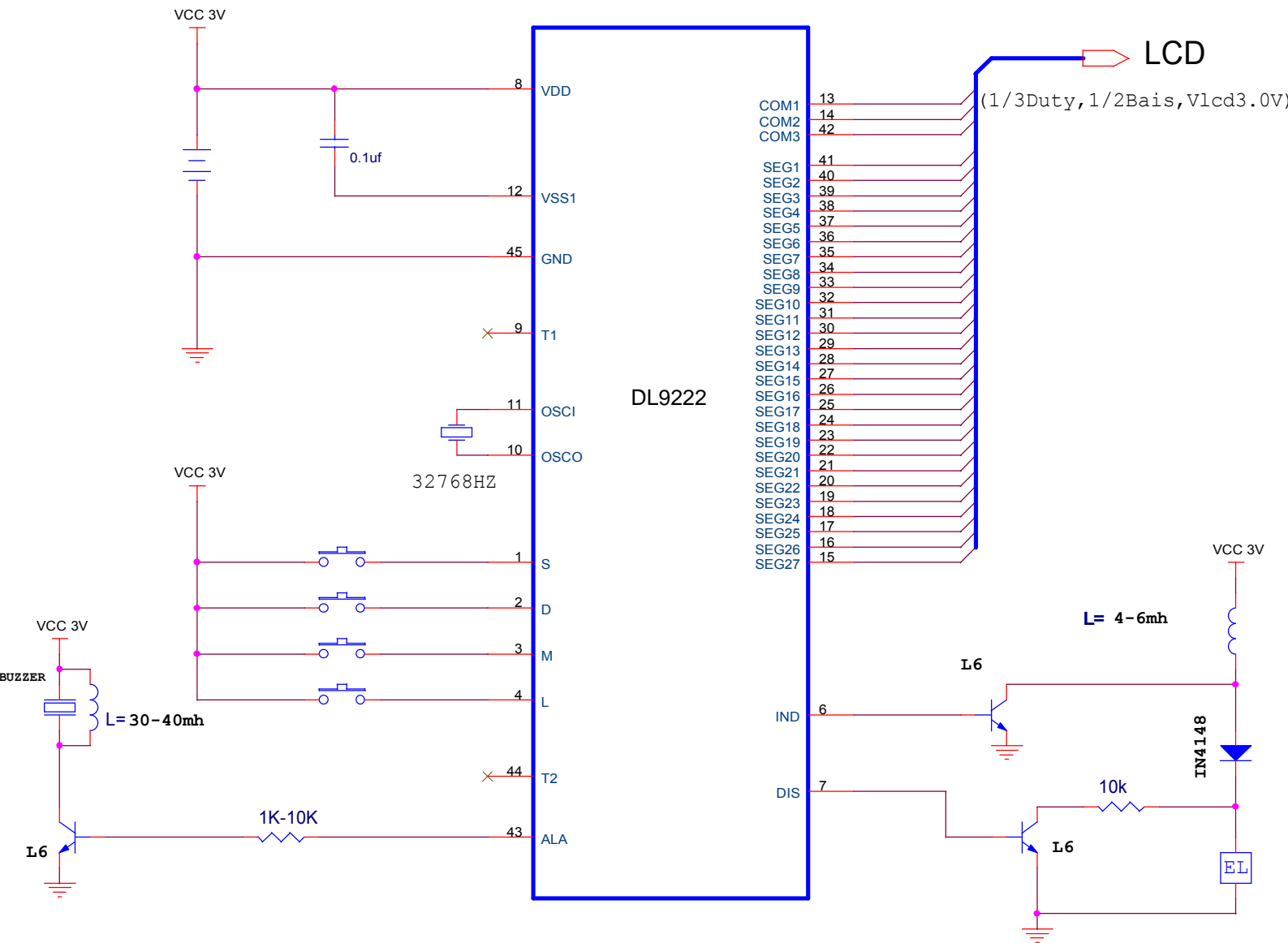
NOTE:

When switches S, M, D are pressed together all segment of LCD will be displayed and after released all digits of LCD will be released.



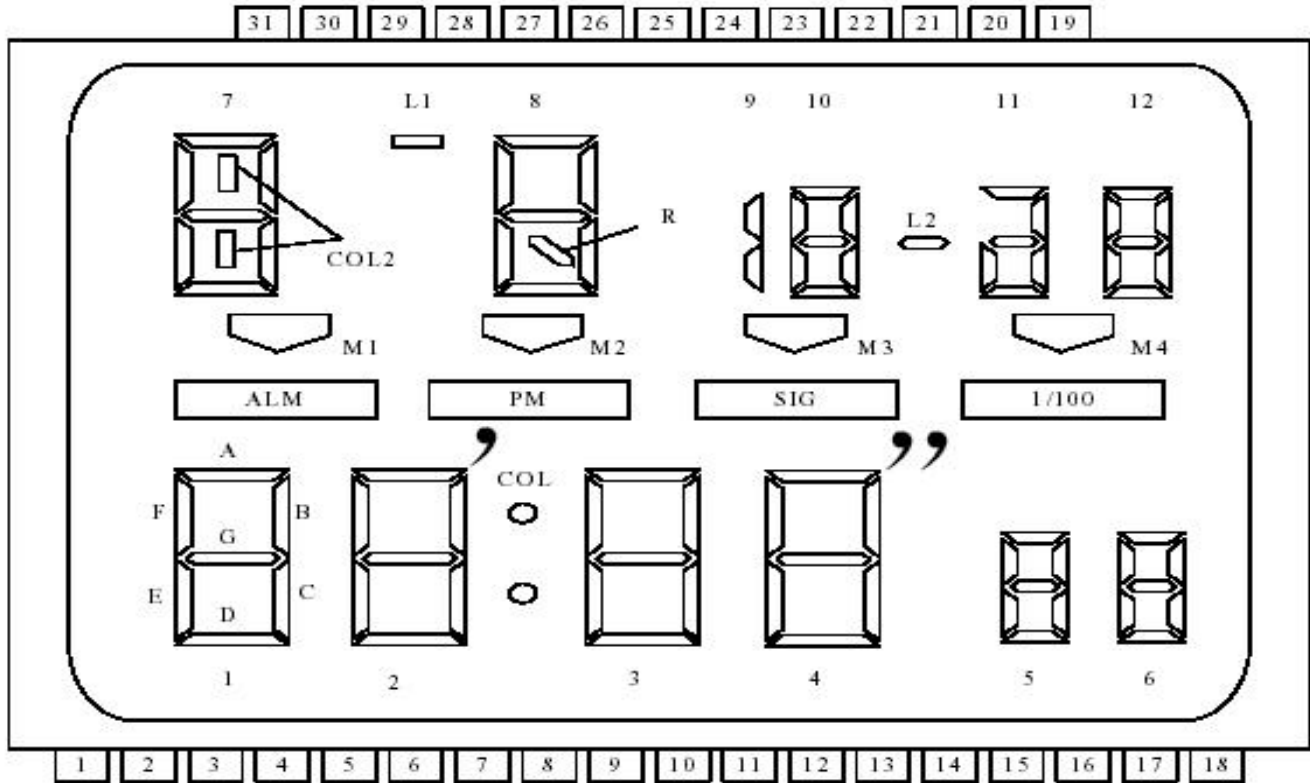
PAD 图， IC 衬底必须接 VDD 或者悬空。





注:
 1、IC衬底接VDD。
 2、建议分别在IND、DIS与L6基极串联电阻(3-5K)，可改变EL输出功率，建议画PCB时，预留位置可作选择；调整EL电感的电感量和内阻可调节EL亮度。

LCD DISPLAY



LCD 字段分配

	COM1	COM2	COM3
SEG1	F1	E1	A1/D1
SEG2	B1	G1	C1
SEG3	F2	E2	D2
SEG4	A2	G2	C2
SEG5	B2	COL	E3
SEG6	F3	G3	A3/D3
SEG7	B3	C3	E4
SEG8	F4	G4	D4
SEG9	A4	B4	C4
SEG10	F5	E5	D5
SEG11	A5	G5	C5
SEG12	B5	F6	E6
SEG13	A6	G6	D6

	COM1	COM2	COM3
SEG14	D12	B6	C6
SEG15	C12	G12	B12
SEG16	E12	F12	A12
SEG17	D10	C11	B11
SEG18	C10	E11	A11/D11/G11
SEG19	L2	B10	A10
SEG20	E10	G10	F10
SEG21	D8	C8	B9/C9
SEG22	R8	G8	B8
SEG23	' / "/M4	E8/F8	A8
SEG24	D7	C7	L1
SEG25	G7	B7	A7
SEG26	E7	COL2	F7
SEG27	M3	M2	M1

注意事项:

- 1、以上资料如有更新，将不另行通知，请用户在使用前先确认手中的资料是否为最新版本！
- 2、此资料推荐的应用电路仅供参考，用户可根据各自产品的应用特点加以改进，对于应用不当造成的产品问题，我司将不承担任何责任。