



深圳市晶峰达电子科技有限公司

东莞市琪芯电子有限公司

电话: 13798528768, 0769-85338927, 传真: 85338927
邮箱: info@jfd-ic.com, QQ: 1873357672
网址: www.jfd-ic.com MSN: aleafuyzf@hotmail.com

DL9218

FUNCTIONS

- * 6 Functions: Month, Date, Day-of-Week, Hour, Minute and second
- * Alarm output for melody IC with 4 min snooze
- * 6-digit Chronograph
- * Split Function of Chronograph
- * User selectable 12-hour/24-hour format
- * 4-year calendar
- * Fast advance for time and alarm time set
- * Chime on every hour
- * 3-switch sequential operation
- * EL Function

FEATURES

- * Single-chip CMOS constructions
- * Drives 12-digit triplexed LCD
- * Colon display
- * On chip oscillator
- * 32768Hz crystal frequency
- * Single 3V battery operation
- * Debounce circuitry on switch inputs
- * Low power dissipation
- * Touch-tone signal

DESCRIPTION

The DL9218 is a CMOS digital 6-function watch integrated circuit with alarm and chronograph function; Designed to for a 12-digit triplexed liquid crystal display. The DL9218 generates alarm, chime and touch-tone signals on the ALA output to drive a buzzer.

ABSOLUTE MAXIMUM RATINGS

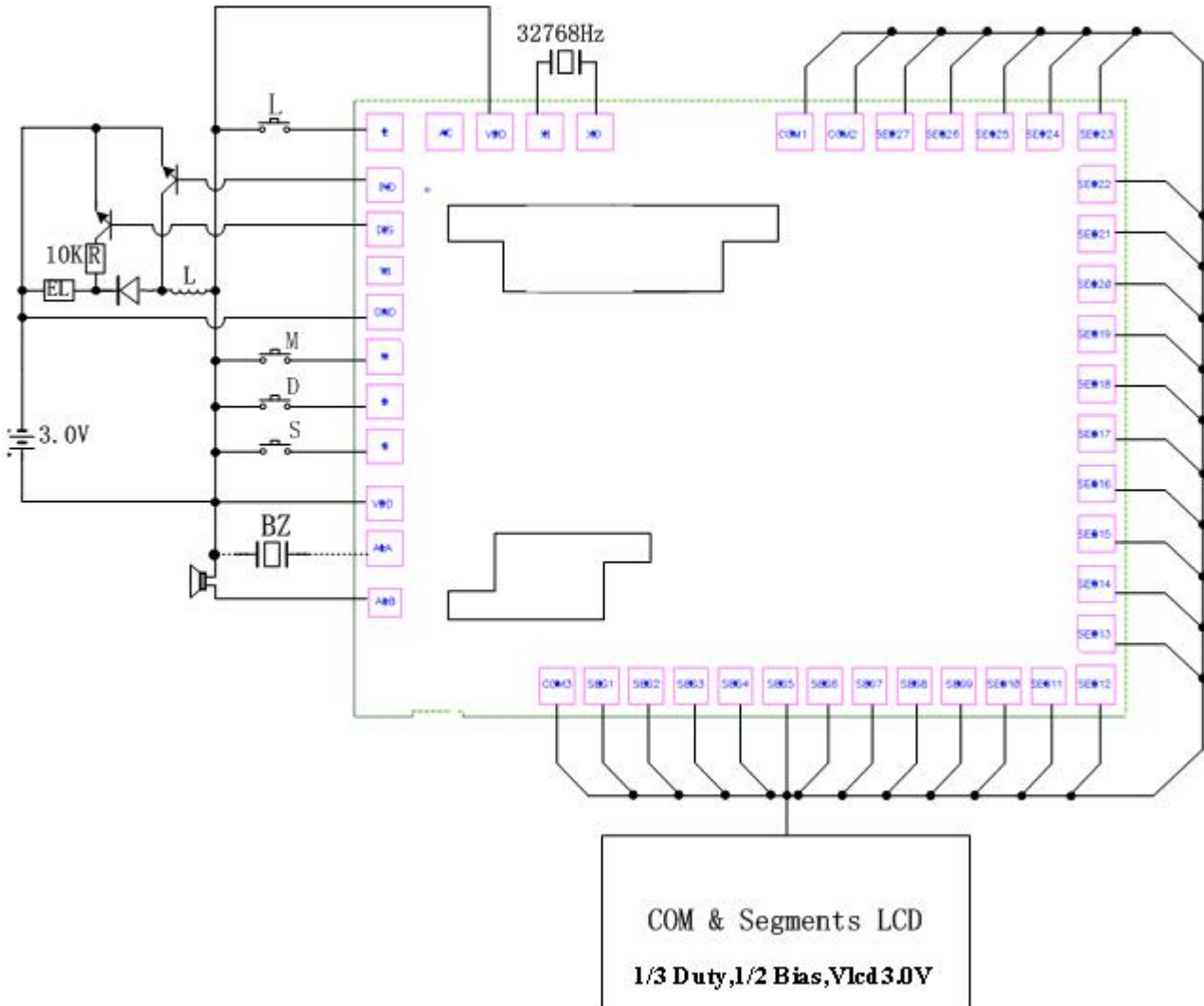
Characteristic	Symbol	Value	Unit
Supply Voltage	V _{CC}	-0.3~+2.0	V
Operating Temperature	T _{opr}	-20~+70	°C
Storage Temperature	T _{stg}	-55~+125	°C

ELECTRICAL CHARACTERISTICS 电特性

Characteristic	Symbol	Test Condition	Min	Typ	Max	Unit
Operating Voltage	V _{CC}		2.4	3	3.6	V
Supply Current	I _{CC}	Without load		1.2	2.5	μA
Oscillator Start Voltage	V _{OSC}				1.45	V
Oscillator Stop Voltage	V _{OSP}				1.15	V
Oscillator Frequency	F _{OSC}			32768		Hz
Oscillator Input Capacitor	C _{IN}			25		pF
Oscillator Output Capacitor	C _{OUT}			25		pF



DL9218 应用图



- 备注: 1. ALB 脚为内置三极管输出端, 可直接驱动喇叭;
2. 稳压电容已内置, 如需微调时间精度, 可通过晶振的 PPM 值调整;
3. 衬底接 VDD。