



➤ **FUNCTIONS**

* 3 指针电子表.

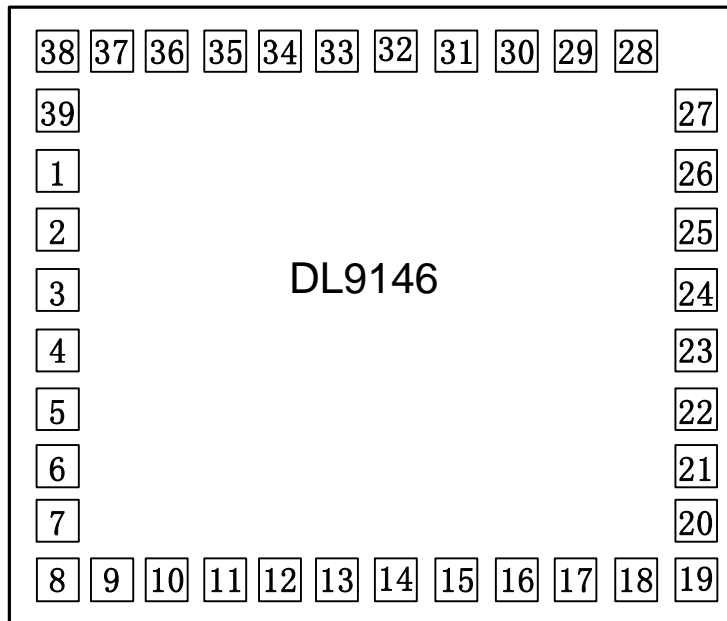
➤ **FEATURES**

* 可直接驱动 LCD: 1/6 Duty;
 * 单操作键.

➤ **ELECTRICAL CHARACTERISTICS** 电特性

| Characteristics | | Sym | Min | Typ | Max | Unit | REMARKS |
|----------------------------|--------|------|------|-------|------|------|---------|
| Operating Voltage | 工作电压 | Vdd | - | 3 | - | V | - |
| Half Voltage | 半压输出 | Vss1 | 1.2 | 1.5 | 1.8 | V | - |
| Double Voltage | 倍压输出 | Vss2 | -1.2 | -1.5 | -1.8 | V | - |
| Quiescent Current | 静态电流 | Isb | - | 1.5 | 2.5 | μA | No Load |
| Oscillator input Frequency | 振荡频率 | Fosc | - | 32768 | - | Hz | - |
| LCD frequency | LCD 频率 | Flcd | - | 43 | - | Hz | - |
| Time stability | 时间稳定度 | Tstb | - | 1 | - | ppm | Vdd=3V |

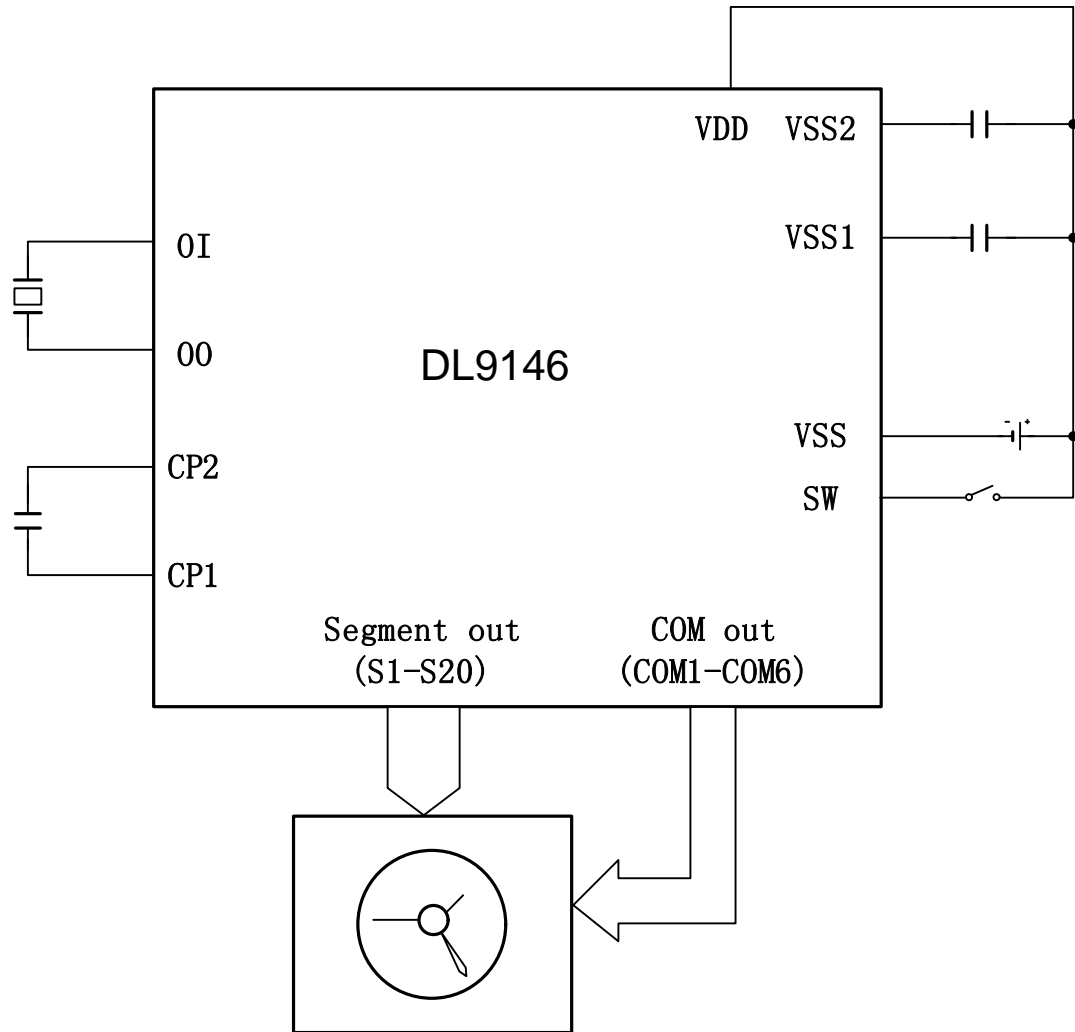
➤ **PAD DIAGRAM** PAD 脚位图



| Name | Pad | Name | Pad | Name | Pad | Name |
|------|-----|------|-----|------|-----|------|
| OI | 11 | S6 | 21 | SW | 31 | COM5 |
| OO | 12 | S16 | 22 | VSS | 32 | COM4 |
| CP2 | 13 | S15 | 23 | AC | 33 | COM3 |
| CP1 | 14 | S5 | 24 | T1 | 34 | COM2 |
| S19 | 15 | S4 | 25 | T2 | 35 | COM1 |
| S9 | 16 | S14 | 26 | T3 | 36 | S1 |
| S8 | 17 | S13 | 27 | VSS1 | 37 | S11 |
| S18 | 18 | S3 | 28 | VSS2 | 38 | S10 |
| S17 | 19 | S2 | 29 | VDD | 39 | S20 |
| S7 | 20 | S12 | 30 | COM6 | | |



➤ APPLICATION DIAGRAM 参考电路图



* 芯片衬底接 VDD.

SEG、COM 逻辑分配表:

| | S16 | S6 | S17 | S7 | S18 | S8 | S19 | S9 | C6 | C5 | C4 | S20 | S10 | S11 | S1 | C1 | C2 | C3 | S12 | S2 | S13 | S3 | S14 | S4 | S15 | S5 |
|-------|-----|-----|-----|-----|-----|-----|-----|-----|-------|-------|-------|-----|-----|-----|----|-------|-------|----|-----|-----|-----|-----|-----|-----|-----|-----|
| COM 1 | B35 | A35 | B36 | A36 | B47 | A47 | B48 | A48 | | | | B59 | A59 | B0 | A0 | COM 1 | | | B11 | A11 | B12 | A12 | B23 | A23 | B24 | A24 |
| COM 2 | B34 | A34 | B37 | A37 | B46 | A46 | B45 | A45 | | | | B58 | A58 | B1 | A1 | COM 2 | | | B10 | A10 | B13 | A13 | B22 | A22 | B25 | A25 |
| COM 3 | B33 | A33 | B38 | A38 | B45 | A45 | B50 | A50 | | | | B57 | A57 | B2 | A2 | | COM 3 | | B9 | A9 | B14 | A14 | B21 | A21 | B26 | A26 |
| COM 4 | B32 | A32 | B39 | A39 | B44 | A44 | B51 | A51 | | | COM 4 | B56 | A56 | B3 | A3 | | | | B8 | A8 | B15 | A15 | B20 | A20 | B27 | A27 |
| COM 5 | B31 | A31 | B40 | A40 | B43 | A43 | B52 | A52 | | COM 5 | | B55 | A55 | B4 | A4 | | | | B7 | A7 | B16 | A16 | B19 | A19 | B28 | A28 |
| COM 6 | B30 | A30 | B41 | A41 | B42 | A42 | B53 | A53 | COM 6 | | | B54 | A54 | B5 | A5 | | | | B6 | A6 | B17 | A17 | B18 | A18 | B29 | A29 |



玻璃分配图:

