



深圳市晶峰达电子科技有限公司
ShenZhen JinFengDa Electronic Technology Co., Ltd.
地址:深圳市龙岗街道 电话:0755-29206918, 13798528768
网站:www.jfd-ic.com 邮箱:info@jfd-ic.com QQ:402431824

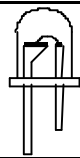
DL8805 三灯七彩 IC

产 品 说 明 书

DL8805

RGB LED IC

三色燈 LED IC

LED FLASH	
DL8805	

FEATURES 功能敘述

- Minimum external component (without limit current resister).
- Built-in oscillator.
- Power on continual function.

P/N	FUNCTION
DL8805-1	七彩漸明漸暗
DL8805-2	七彩跳閃
DL8805-3	七彩跳閃 + 七彩漸明漸暗

APPLICATION 產品應用

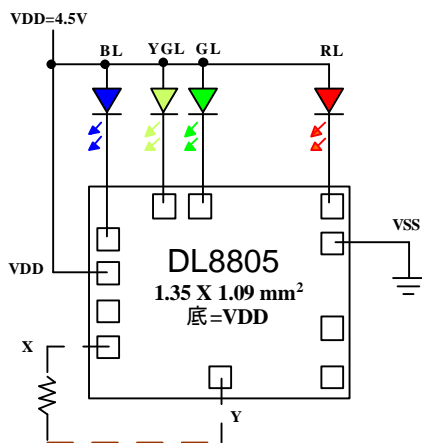
- Blinking LED, Function indicator, R.G.B Mix etc..

ELECTRICAL CHARACTERISTICS 電氣規格

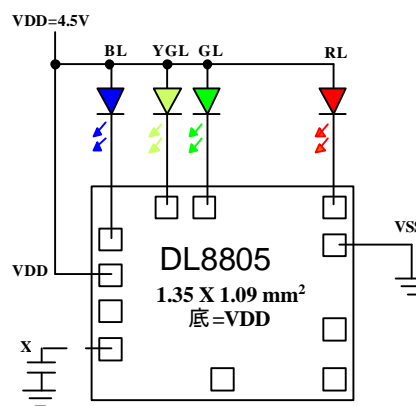
(@ $V_{DD}=4.5V$ unless otherwise specified)

Characteristics	Sym.	Min.	Typ.	Max.	Unit	REMARKS
工作電壓 Operating Voltage	V_{DD}	—	4.5	5	V	
工作電流 Operating Current	I_{OP}	—	0.1	0.5	mA	No load
靜態電流 Quiescent Current	I_{SB}	—	1	—	μA	One-shot mode
推動電流 Driving Current	I_{OL}	20	—	—	mA	@ $V_{DS} = 1.2 V$
振盪頻率 Oscillator Frequency	F_{OSC}	—	110	—	KHz	$\pm 30\% TOL.$
工作溫度 Operating Temperature	Temp.	0	25	60	$^{\circ}C$	

APPLICATION DIAGRAM 參考電路圖

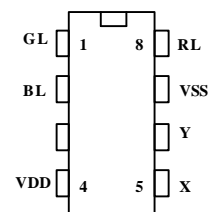


* 外加電阻加快



* 外加電容減慢

DL8805



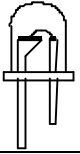
LED Chip			$V_f (V)$		$I_v (mcd)$	
Emitted color	Material	$\lambda p(nm)$	Typ.	Max.	At $I_r (mA)$	Typ.
Red	Algainp	635	1.9	2.1	20	120
Green	Ingan	525	3.1	3.5		100
Blue	Ingan	470	3.65	4.0		80
Yellow Green	Algainp	635	2.0	2.3		120

*All specs and applications shown above subject to change without prior notice.
(以上電路及規格僅供參考,本公司得逕行修正)

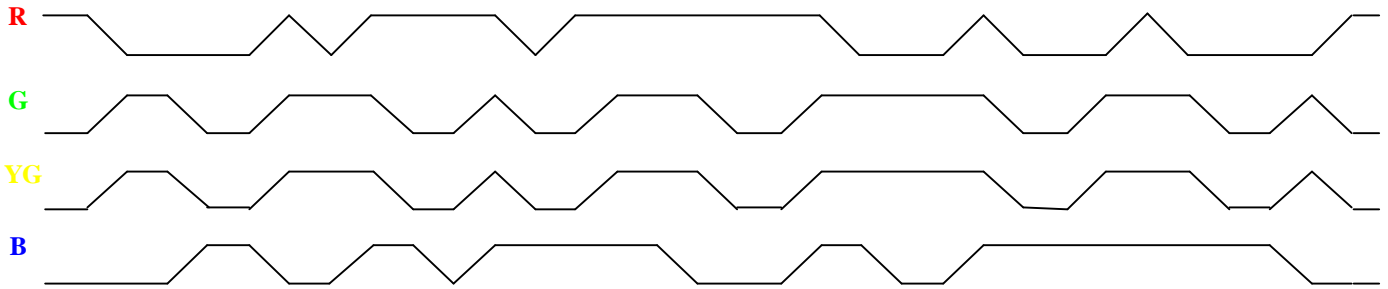
DL8805

RGB LED IC

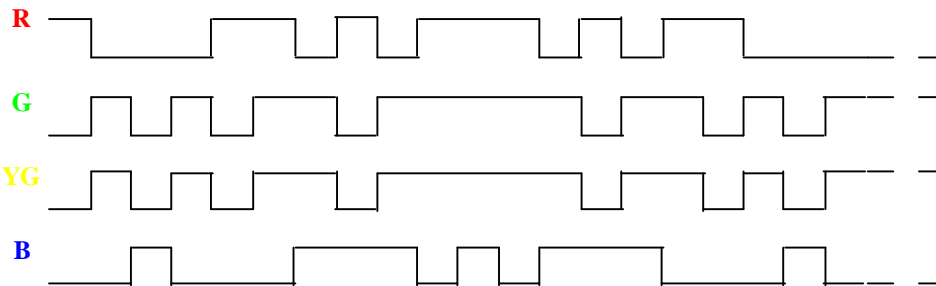
三色燈 LED IC

LED FLASH	
DL8805	

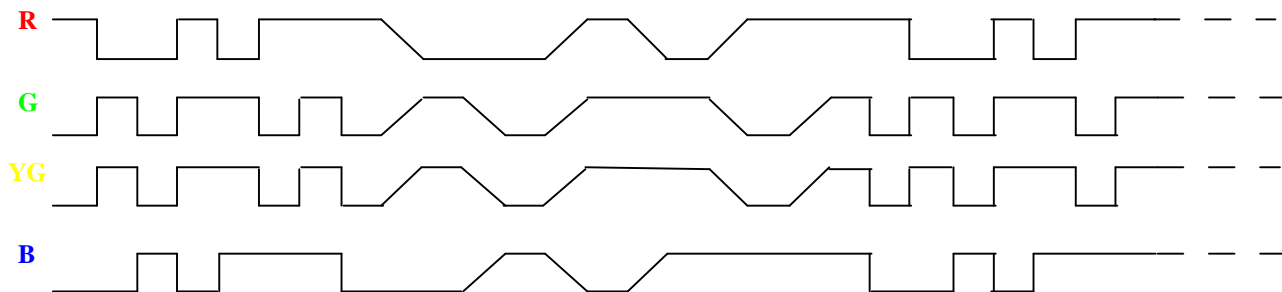
* DL8805-1 (七彩漸明漸暗)



* DL8805-2 (七彩跳閃)



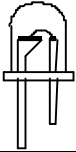
* DL8805-3 (七彩跳閃 + 七彩漸明漸暗)



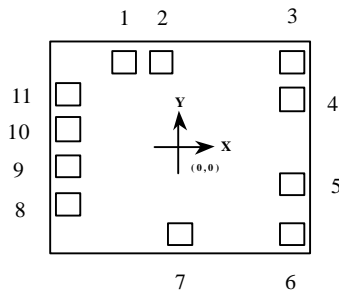
DL8805

RGB LED IC

三色燈 LED IC

LED FLASH	
DL8805	

PAD ASSIGNMENT & POSITION



UNIT : um

No.	NAME	X	Y
1	YG	-282.80	423.20
2	GL	-92.40	423.20
3	RL	552.40	423.20
4	VSS	552.40	243.20
5	TEST2	552.40	-184.20
6	TEST1	559.10	-423.20
7	Y	2.20	-423.20
8	X	-552.50	-264.70
9	OPT	-552.50	-77.70
10	VDD	-552.50	109.30
11	BL	-552.50	274.30

* CHIP SIZE ~ 1.35 x 1.09 mm²

* IC substrate should be connected to VDD in PCB (PCB 上 IC 必須接 VDD)